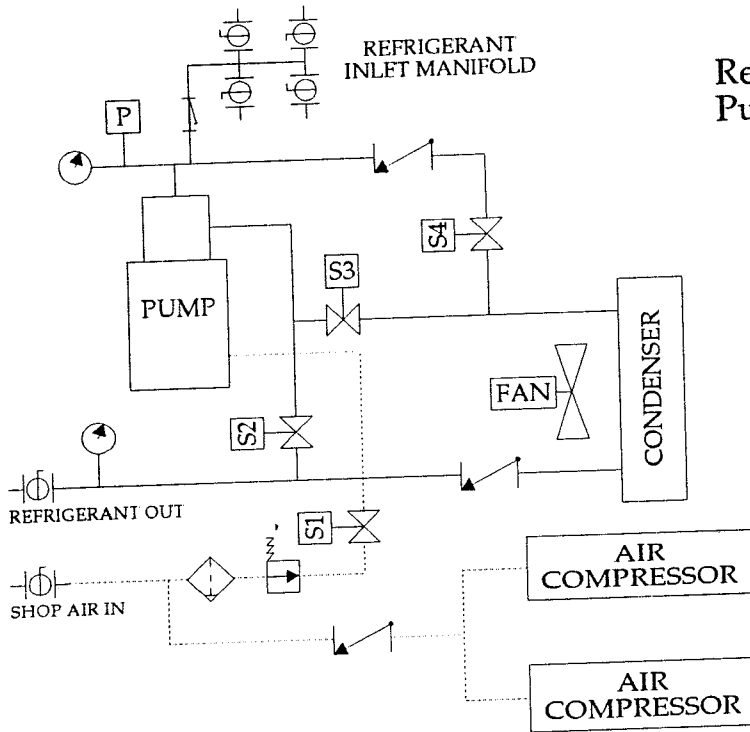


FIGURE 3 - TS4 PIPING DIAGRAM



Recovery: S2, S4 - Closed; S3 - Open  
 Pump-Out: S2, S4 - Open; S3 - Closed

FIGURE 3 - TS4 WIRING DIAGRAM

